

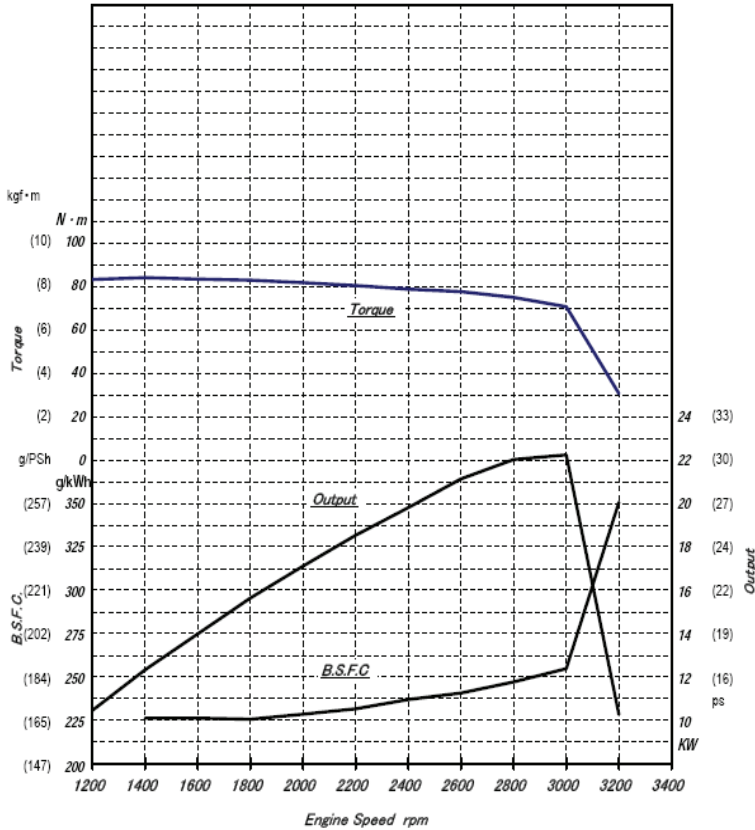




# 3TNV82A-BDSA

## Industrial Diesel Engine

### Performance Data



kW to Hp conversion used is expressed as:  $HP = (kW \text{ value}) \times 1.34$

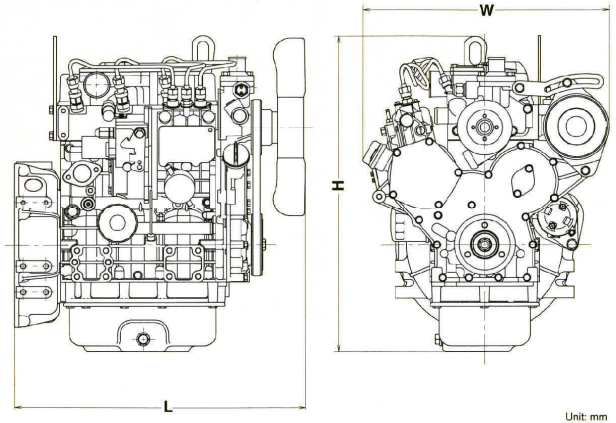
Rated Speed (rpm)	Net rated kW	Net rated HP	Max. Torque (ft-lb)
3000	22.2	29.7	63.6 @ 1800 rpm

### Ratings Definitions and Conditions

\*Rated power listed is NET engine output. The engine operating environment and driven machine conditions must be studied carefully when selecting an engine in order to ensure correct engine selection, maximize engine performance, extend engine service life and improve machine capacity.

Consult the TNV Application Manual for additional engine ratings and engine application information.

### Dimensions



Length	22.5 in (574 mm)
Width	18.5 in (472 mm)
Height	24.0 in (611 mm)

Note: Dimensions depend on final specifications.

Materials and specifications herein are intended to serve as a guide in engine selection and subject to change without notice. The International System of Units (SI) is used in this publication. Yanmar and its logos, as well as corporate identity used herein, are trademarks of Yanmar and may not be used without permission.